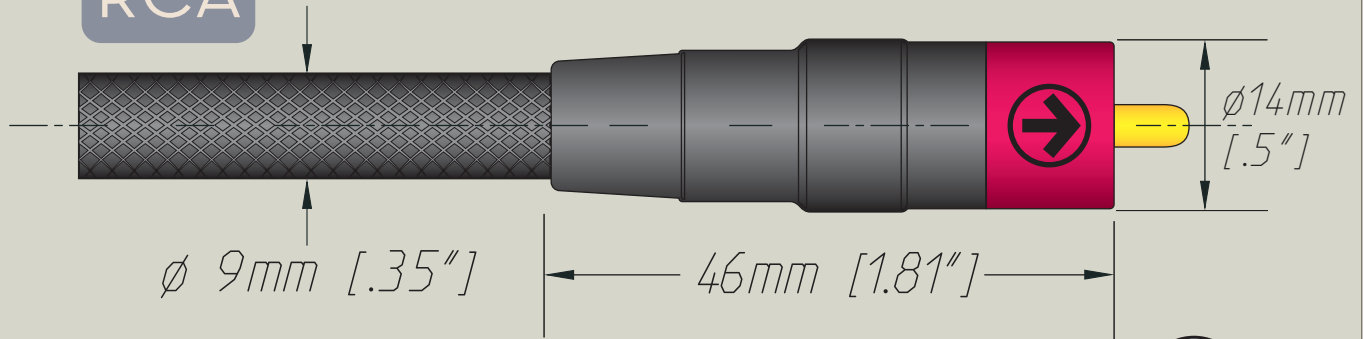




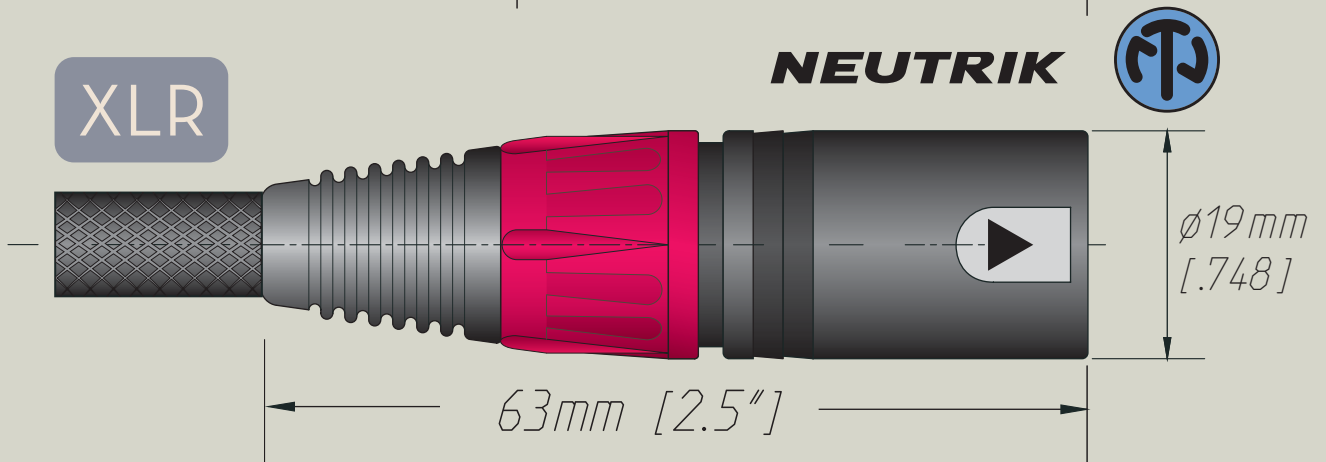
Nexus 3 Interconnect

TECHNOTES

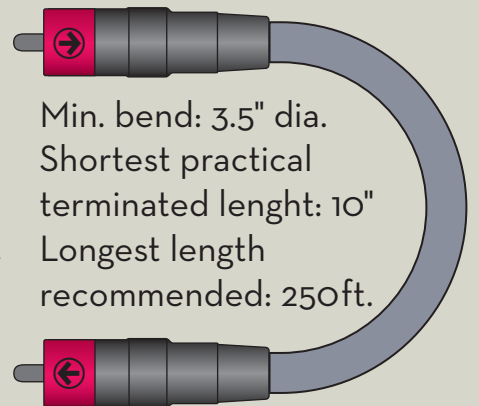
RCA



XLR



Cable Capacitance: 21 pF/ft.
 DC resistance: One meter loop =.03 Ohms
 Conductors: OFHC Copper,
 FMS fine wire helical serve.
 Dielectric materials: TPFE (Teflon) and PE.
 Shields: 2 - OFHC helical copper and copper braid.
 Connectors-RCA: FMS gold plated OFHC copper.
 Connectors-XLR: Neutrik NC3-MXB (Gold)



Min. bend: 3.5" dia.
 Shortest practical
 terminated length: 10"
 Longest length
 recommended: 250ft.

FmsCable

Phone: (805) 277-0605 Fax: (805) 504-1349

FMS Nexus 3 Audio IC
 © 2006 FMS Cable
 A. W. Gibson